
UNIQUE PLASTIC PILING



UNIQUE PLASTICS CORPORATION



Contents

Preface.....	3
M type plastic piling	4
Major Purpose of plastic piling	6
Living Examples of plastic piling ..	7
Simulation drawing for application of plastic piling	10

Preface

The major function of new PVC Plastic Piling includes interdiction of water seepage, prevention of soil erosion, soil conservation. Has key features such as environment-friendly, easy and fast construction, space saving and attractive modeling.

It's an innovative and practical reverting material for water and soil blockage structure on landscape and hydraulic engineering which can take the place of, or constructed with, current concrete installation.

Durable and Heavy Duty

Plastic piling is made of reinforced composite plastic with excellent compressive strength and impact resistance.

It will not decay and can last fifty to seventy years long.

Cost Savings

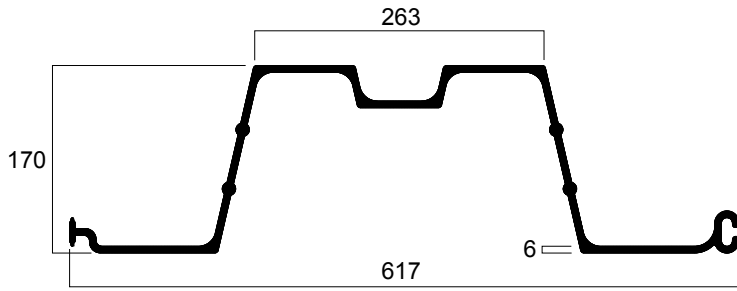
The cost of PVC Sheet Piling is nearly thirty percent (30%) less and the efficiency of construction is almost five times higher than traditional concrete.

No construction trouble will be experienced because traditional steel sheet pile equipment and clamping apparatus can be used without any change.

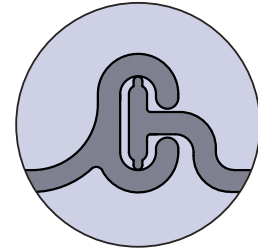
Environment-Friendly

The plastic piling is lead and plasticizer-free which has the benefits of being environment-friendly, compared to serious pollution made by materials of reinforced concrete construction. The plastic piling will be the best substitute product.





(Superposition operative width: 600mm)



Superposition structure

Model No. : 600M (617mm×170mm×6t)

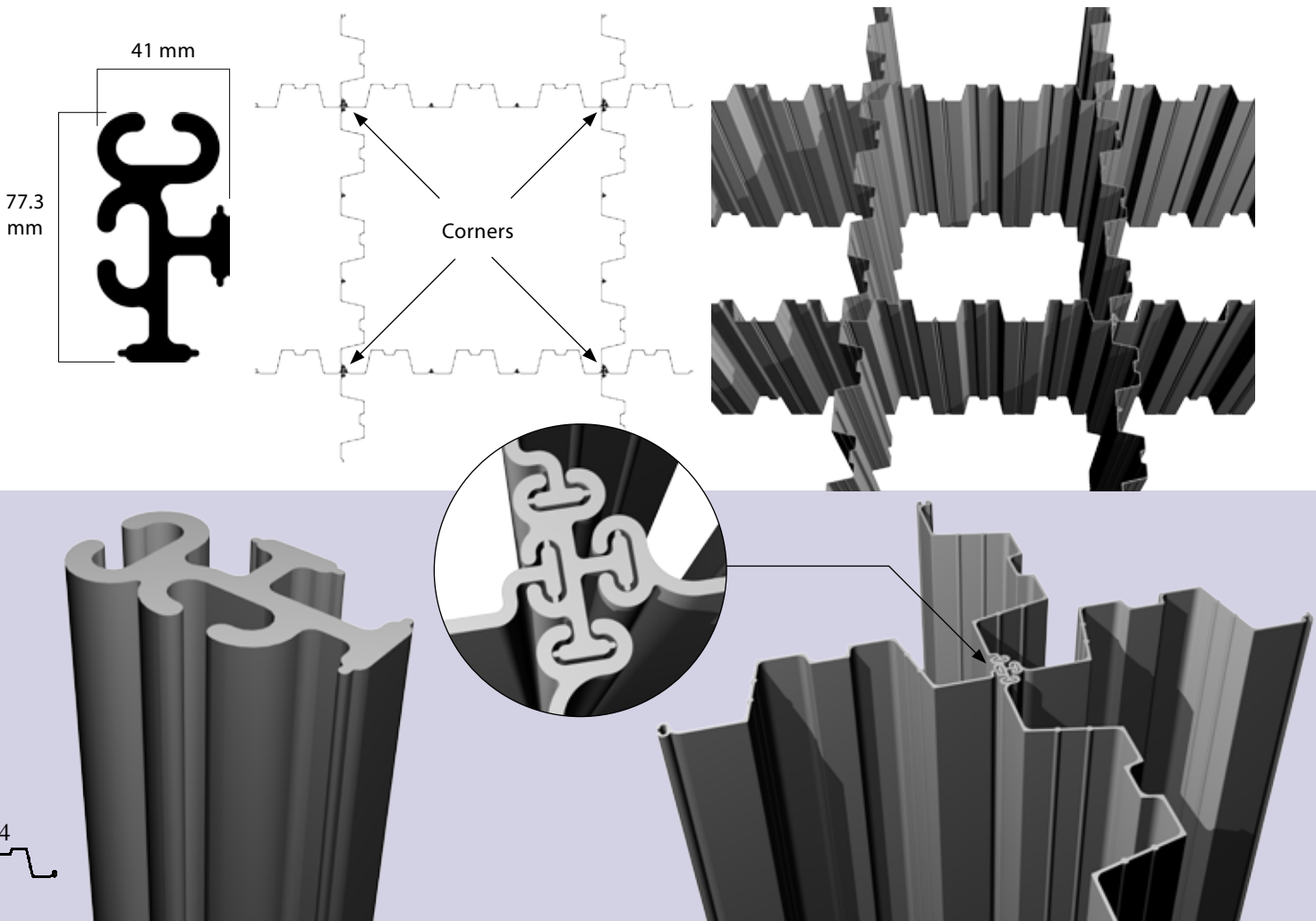
Plastic piling physical properties table

Section width	617 (mm)
Section Depth	170 (mm)
Weight	9.3 (kg/m)
Thickness(t)	6.0 (mm)
Material	PVC (Rigid Vinyl)
Standard colors	Gray
Standard Packaging	10 (sheets/bundle)

Item	Inspection item	Inspection standard	Inspection value
1	Density	ASTM D792-08A	1.39
2	Hardness (SHORE D)	ASTM D2240-05	75
3	Tensile strength (kgf/cm ²)	ASTM D638-08	550
4	Flexural strength (kgf/cm ²)	ASTM D790-07B	850
5	Compressive strength (kgf/cm ²)	ASTM D695-08a	650

Remark: Figures of physical properties listed above are reference value only.

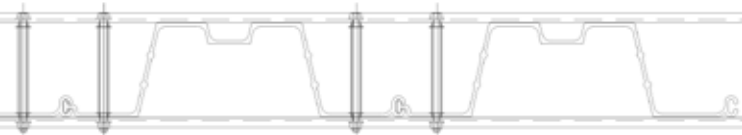
Plastic Piling Corner



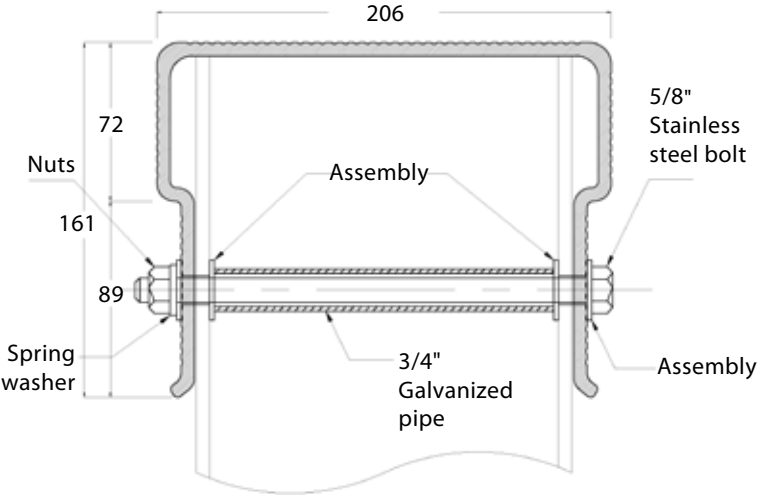
Plastic Piling Cap



Plastic piling assembly diagram



Assembly diagram



Lateral view

Major Purpose of Plastic Piling



1. To protect seawall revetment.
2. Revetment at recreational area or yacht dock.
3. Fishing port, drainage levee and soil blockage levee.
4. Landscape revetment at recreational fishing area.
5. Retaining wall and drainage culvert.
6. Highway, forest path and road bank.
7. Bridge pier protection.
8. Gravity type retaining wall.
9. Brook bank, lake bank, seashore slope protection, wave dissipation and tide protection.
10. Change the flow direction of lakes and streams.
11. Sand pool and ponds at gold course.
12. Support for reservoir's filter plant, engineering under water.
13. Landfill site retaining wall.
14. Maintenance and security of earthworks at construction site.
15. Cofferdam for blockading water.

Project track record of UNIQUE plastic piling

Revetment project of Zengwun River

Yunlin - Niasung drainage well project

NanTzu Dist. of Kaohsiung - Black Bridge drainage revetment project

Yunlin culture area - drainage revetment project

Linkou - Chang Gung Golf Club pond project

Pingtung - Rope ditch reconstruction project in

Yunlin - LongTai Temple project

Yilan - King Car farmed fish pond project



Living Examples of Plastic Piling



Tainan
Zengwun river
Regulation project



Pingtung
Rope ditch recon-
struction project



Yunlin
drainage well project



Kaohsiung
Black Bridge drainage
improvement project



Yunlin
LongTai Temple
project



Linkou
Chang Gung
Golf Club



Linkou
Chang Gung
Golf Club



Linkou
Chang Gung
Golf Club



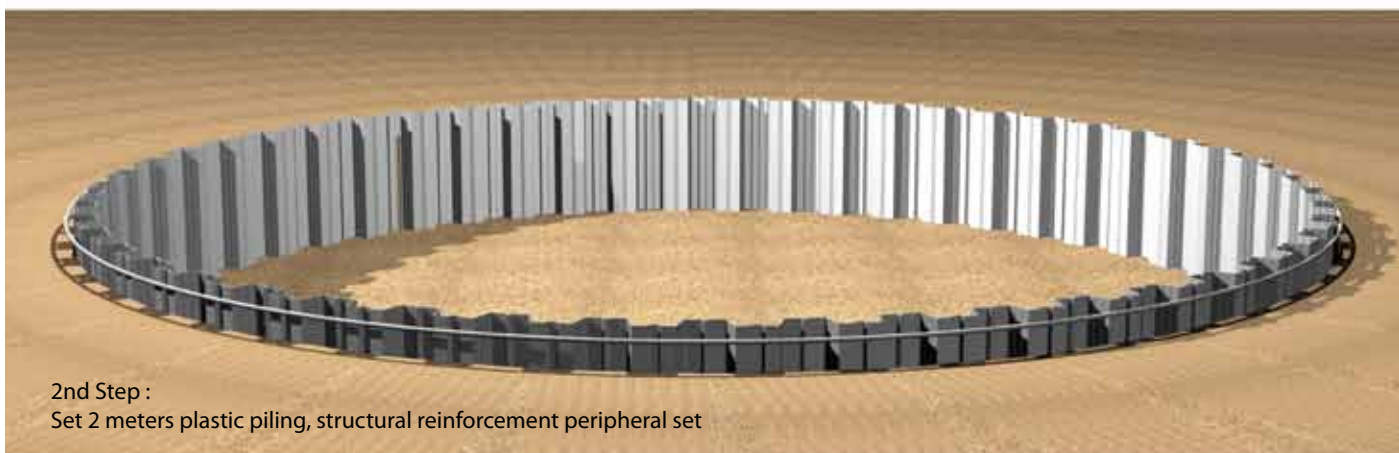
Linkou
Chang Gung
Golf Club

Simulation drawing for application of plastic piling

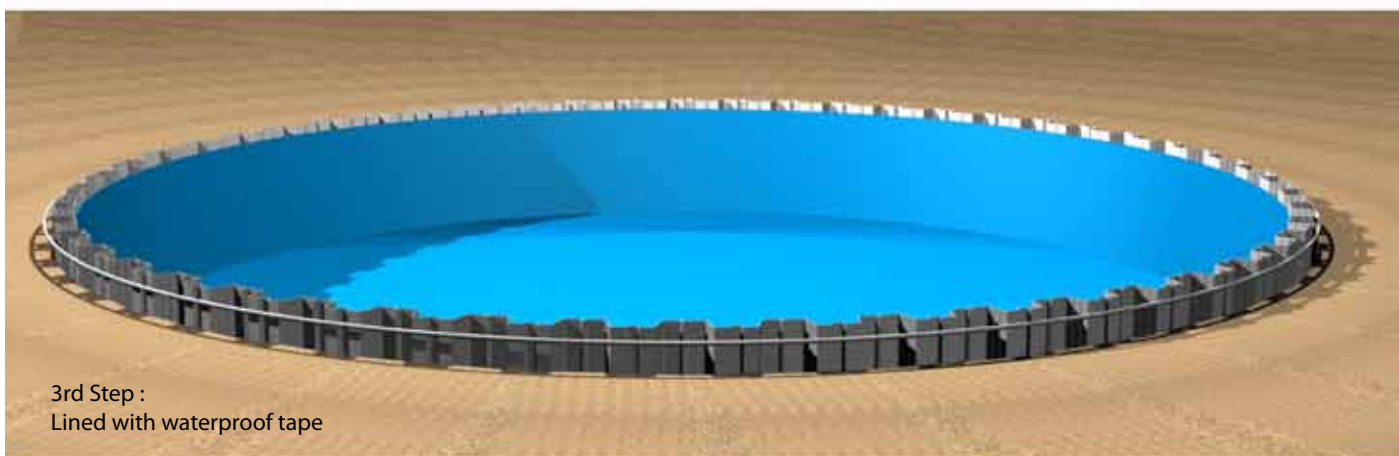
Farmed Fish Pond Project



1st Step :
Excavation depth of about 1 meter, 10 meters in diameter



2nd Step :
Set 2 meters plastic piling, structural reinforcement peripheral set



3rd Step :
Lined with waterproof tape

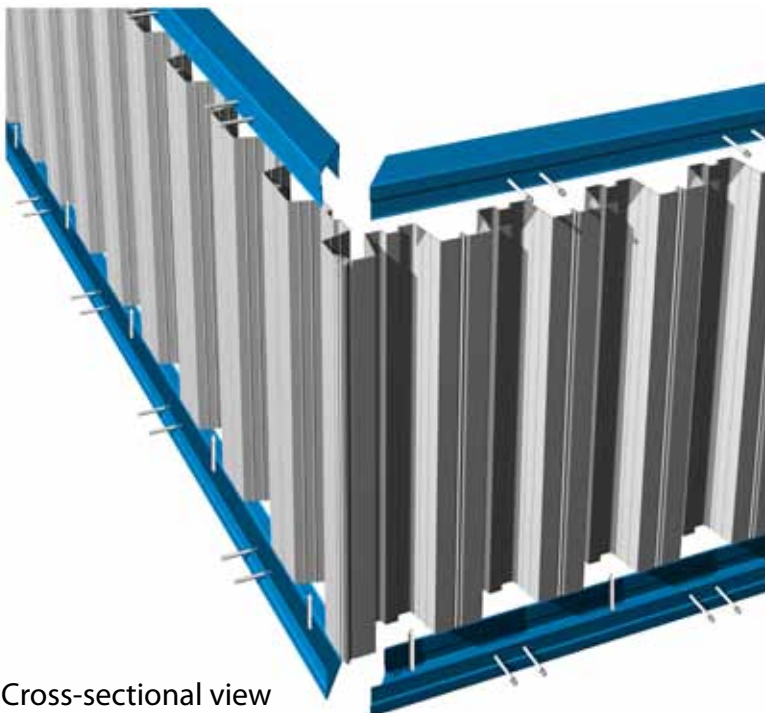


Finish :
Set caps or other application of plastic piling

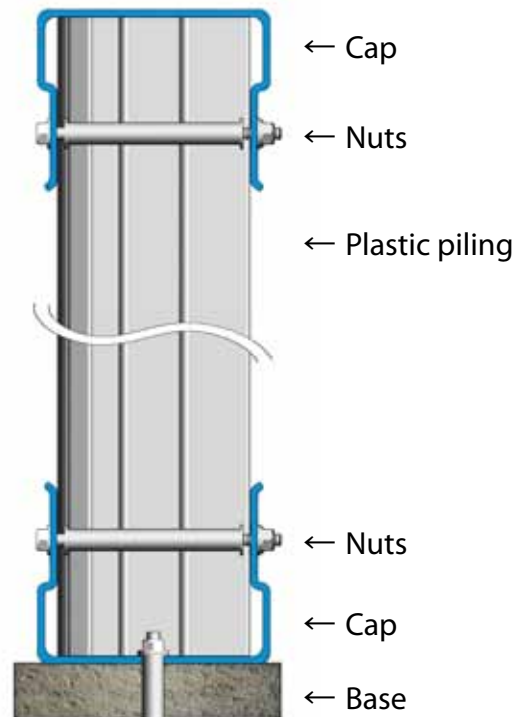
For vertical square farmed fish pond of plastic piling



Assembly diagram for vertical square farmed fish pond of plastic piling



Cross-sectional view





This catalog is made of UNIQUE PEPA
Do not recycle together with the natural paper.

(2014.04.500.31)

UNIQUE PLASTICS CORPORATION

P.O. BOX 108-258 TAIPEI TAIWAN
TEL: (886-2) 2741-5391
FAX: (886-2) 2776-9998 & 2772-0866
e.mail: uniquepc@ms14.hinet.net
<http://uniqueplastics.net>
<http://unique-plastics.net>
<http://uniqueplastics.com>